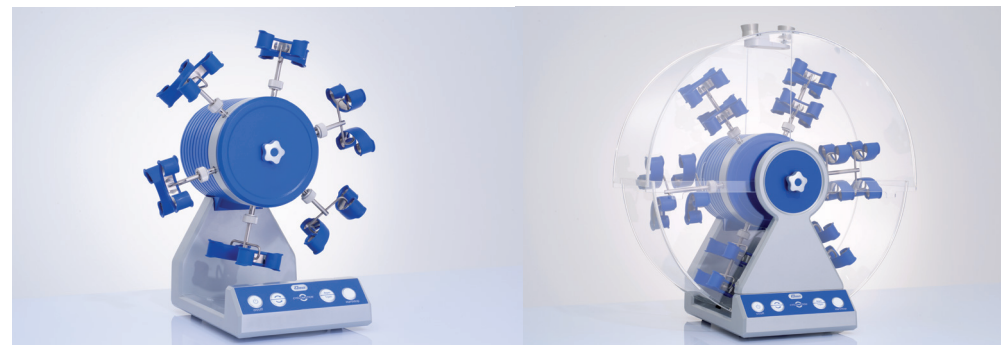


Cyclomotion

Watchwinder

- Cyclomotion: without protective cover
- Cyclomotion pro: with protective cover



Order numbers and list prices

Cyclomotion	Without clip	With clip for 12 watches	With clip for 24 watches
Order number 110 - 240 V~	1035171	1035171 + 6 x 1035190	1035171 + 6 x 1035192
List price	1.390,00 €	1.630,00 €	1.810,00 €
Cyclomotion pro			
Order number 110 - 240 V~	1035170	1035170 + 6 x 1035190	1035170 + 6 x 1035192
List price	2.430,00 €	2.670,00 €	2.850,00 €

Scope of delivery

- Operating manual
- Power supply unit

All prices ex works, excluding packaging.

Technical specifications serve as orientation values and are subject to tolerances due to production and manufacturing. Proper operation can only be guaranteed when using original Elma accessories.

Cyclomotion / Cyclomotion pro

Product features and functions

▪ Powerful, low-noise motor with integrated slipping clutch and holding torque (in standby mode)
▪ Speed adjustable: 1 rpm or 4 rpm for endurance tests and fast winding of watches
▪ Direction of rotation adjustable: clockwise, counterclockwise and clockwise / anticlockwise by changing the direction of rotation
▪ Individually selectable bracket combination enables simultaneous winding of movements wound on one side as well as on both sides
▪ Cyclomotion pro with lockable protector hood, provides additional protection against dust and mechanical impact

Cyclomotion / Cyclomotion pro

Technical Data - Mechanics

Cyclomotion	Without clip	With clip for 12 watches	With clip for 24 watches
Unit ext. dimensions Dia / D / H (mm)	250 / 410 / 330	400 / 485 / 330	470 / 520 / 330
Weight (kg)	11	11,5	12
Max. load per watch holder (g)	--	180	180
Cyclomotion pro			
Unit ext. dimensions Dia / D / H (mm)	555 / 595 / 330		
Weight	16	16,5	17
Max. load per watch holder (g)	--	180	180

Technical Data - Electronics

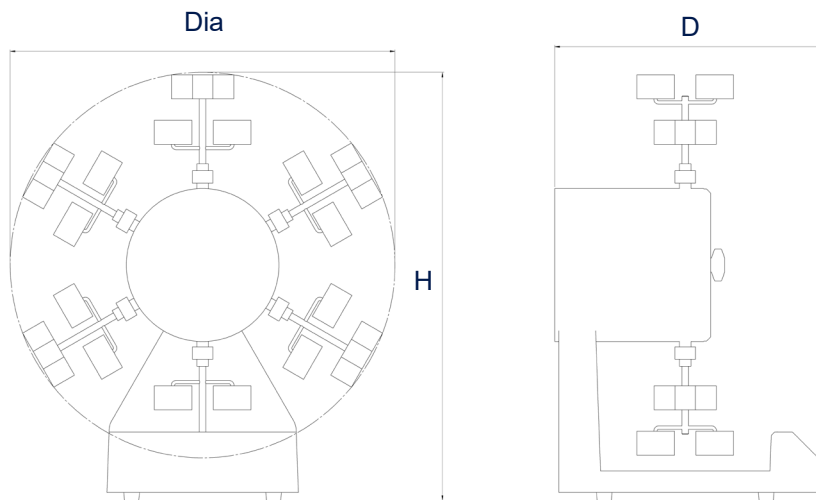
	Cyclomotion	Cyclomotion Pro
Mains voltage (V~)	100 - 240	
Mains frequency (Hz)	50 / 60	
Power consumption total (W)	24	
Spindle head rotation per min	s1 / 4	
Rotation of the holding bracket per min	4,5 / 18	

Technical specifications serve as orientation values and are subject to tolerances due to production and manufacturing. Proper operation can only be guaranteed when using original Elma accessories.

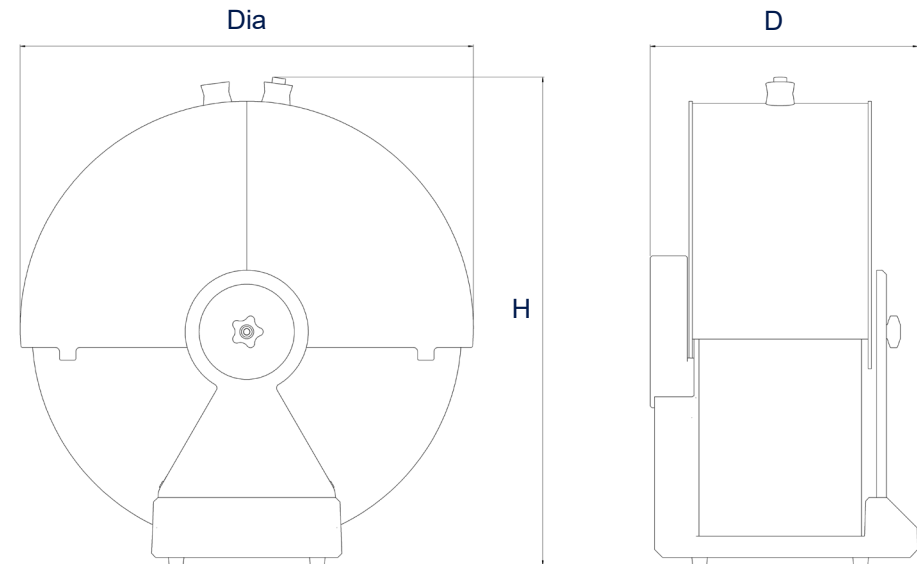
Cyclomotion / Cyclomotion pro

Dimension definition

Cyclomotion








Cyclomotion Pro



The drawings are meant as a visualization aid and are not true to scale.

Technical specifications serve as orientation values and are subject to tolerances due to production and manufacturing. Proper operation can only be guaranteed when using original Elma accessories.

Watchwinder accessories - Cyclomotion (pro)

	Watch clip for 2 watches with straps				Watch clip for 4 watches with straps			Industrial clip for 4 watches without straps	Watch box for 4 watches without straps	Wall mounting device
Order number	1035190	1045571	1035359	1045566	1035192	1035360	1045568	1035361	1053528	1035701
List price	40,00 €		40,00 €		70,00 €	70,00 €		74,00 €	120,00 €	70,00 €
Ext. dimensions W / D / H (mm)	130 / - / 85	100 / - / 85	130 / - / 125	110 / - / 125	130 / - / 75	130 / - / 115	110 / - / 125	80 / - / 120	145 / 135 / 40	80 / 90 / 145
Max. watch length (mm)	165 - 205	150 - 165	165 - 205	150 - 165	165 - 205	165 - 205	150 - 165	--	--	--
Max. watch diameter (mm)	--	--	--	--	--	--	--	--	43,0	--
Max. load per watch holder (g)	180		180		180	180		180	180	--
With left / right elevator			•				•			
										

All prices ex works, excluding packaging.

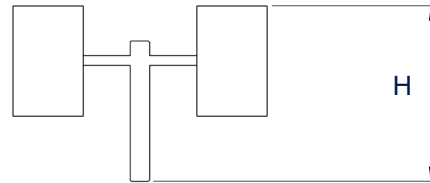
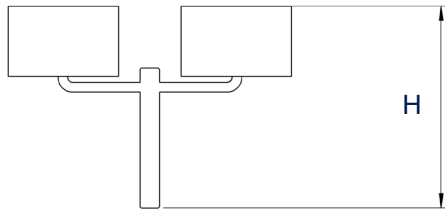
The drawings are meant as a visualization aid and are not true to scale.

Technical specifications serve as orientation values and are subject to tolerances due to production and manufacturing. Proper operation can only be guaranteed when using original Elma devices.

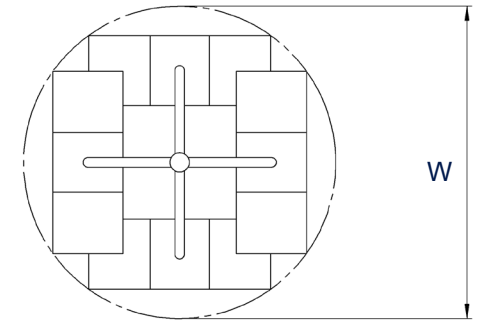
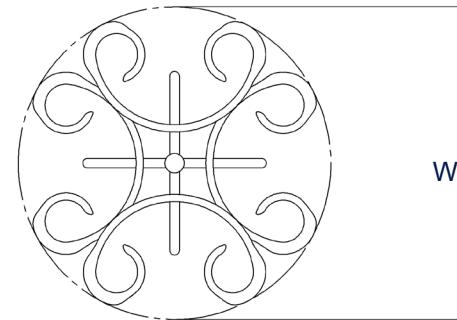
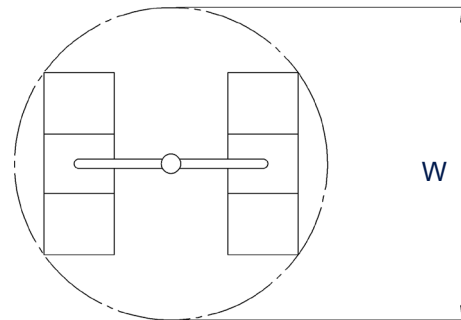
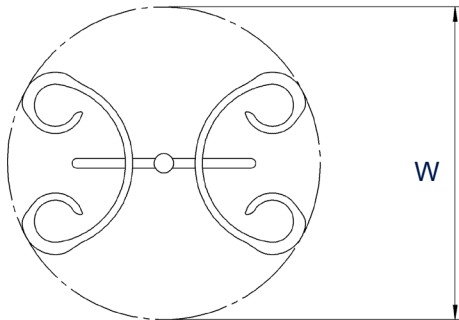
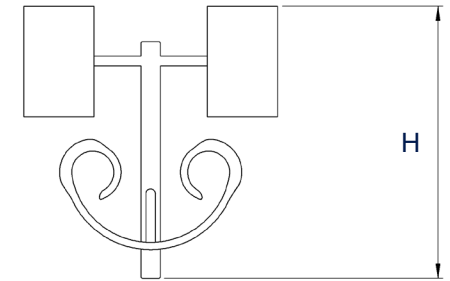
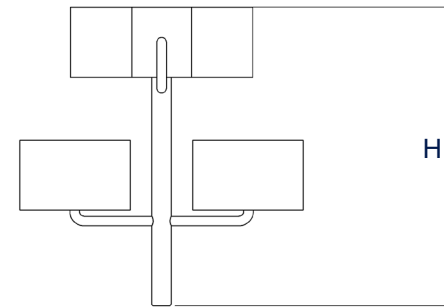
Watchwinder accessories - Cyclomotion (pro)

Dimension definition

Watch clip
for 2 watches with straps



Watch clip
for 4 watches with straps



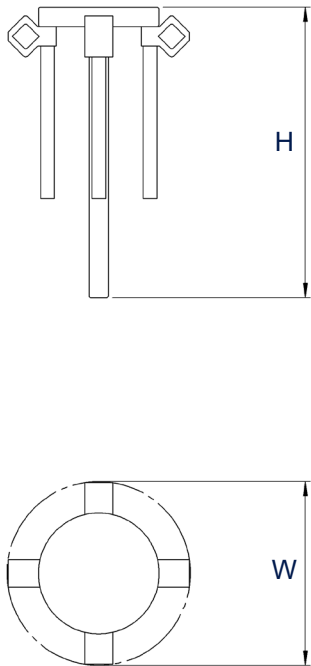
The drawings are meant as a visualization aid and are not true to scale.

Technical specifications serve as orientation values and are subject to tolerances due to production and manufacturing. Proper operation can only be guaranteed when using original Elma devices.

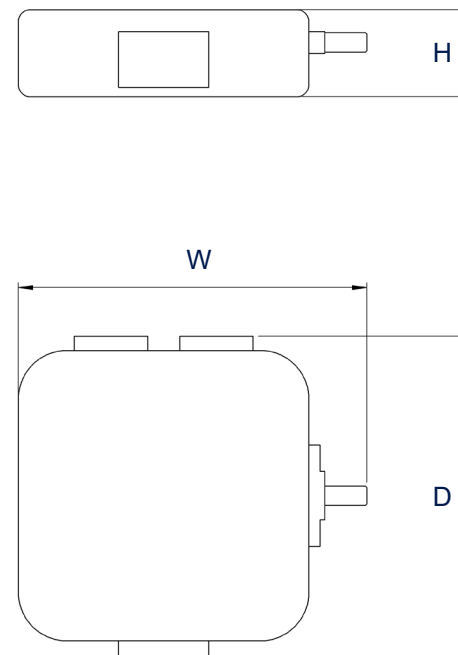
Watchwinder accessories - Cyclomotion (pro)

Dimension definition

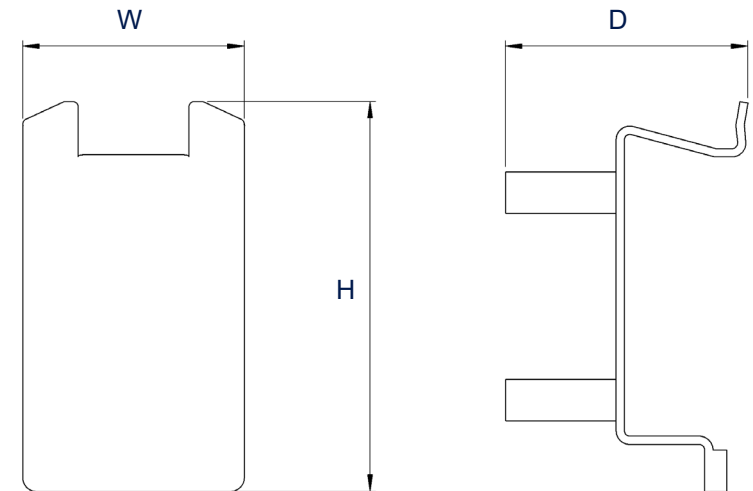
Industrial clip
for 4 watches without straps



Watch box
for 4 watches without straps



Wall mounting device



The drawings are meant as a visualization aid and are not true to scale.

Technical specifications serve as orientation values and are subject to tolerances due to production and manufacturing. Proper operation can only be guaranteed when using original Elma devices.