



15285-

SWISS MADE 



STAR

 BERGEON
 MANUFACTURED

Staking tools and friction jewellery outfit, in a case

Guiding canon Ø 4.7 mm. All punches and stakes are fitted in the case, each punch is numbered.

- **15285-B:** Staking tool, made of die-cast alloy, with 50 punches and 10 stakes, without base.
- **15285-D:** Staking tool, made of die-cast alloy, with 100 punches and 20 stakes, with base.
- **15285-93C:** STAR Staking tool and friction jewellery outfit, made of machined cast alloy, with 120 punches and 24 stakes, with base.
- **15285-140.92:** STAR Staking tool and friction jewellery outfit, made of machined cast alloy, with 105 punches, 12 pushers and 25 stakes, with base.

Máquina dremachadora y a embutir, en una maleta

Tubo de guía Ø 4.7 mm. Todos los punzones y tases están colocados en una maleta, cada punzón lleva un número.

- **15285-B:** Máquina remachadora, de fundición inyectada, con 50 punzones y 10 tases, sin zócalo.
- **15285-D:** Máquina remachadora, de fundición inyectada, con 100 punzones y 20 tases, con zócalo.
- **15285-93C:** Máquina remachadora y a embutir STAR, de fundición mecanizado, con 120 punzones y 24 tases, con zócalo.
- **15285-140.92:** Máquina remachadora y a embutir STAR, de fundición mecanizado, con 105 punzones, 12 punzones y 25 tases, con zócalo.

Punches, pushers and stake for staking tool 15285

They are also suitable for other staking tools, including the STAR riveting tools.

Shank: Ø 4.7 mm / length 86 mm










15285-...






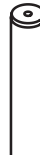
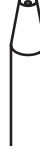
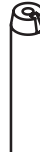
SWISS MADE 

Punzones, pulsadores y tásas para prensas remachadoras 15285

También son adecuados para otras prensas remachadoras, incluidos las remachadoras STAR.

Eje: Ø 4,7 mm / longitud 86 mm

					
	mm	mm	g		
Silver steel punch, to centre <i>Punzón de acero plateado, para centrar</i>		15285-001	4.70		11
Silver steel punch, to widen the balance's arms <i>Punzón de acero plateado, para los brazos de volantes</i>		15285-016			11
Silver steel punch, to extend the balance's arms <i>Punzón de acero plateado, para extender los brazos de volantes</i>		15285-019			11
Silver steel punch, flat <i>Punzón de acero plateado, plano</i>		15285-023	4.50		11
		15285-024	4.00		11
		15285-025	3.70		11
		15285-026	3.30		11
		15285-027	3.00		11
		15285-028	2.70		11
		15285-029	2.30		11
		15285-030	2.00		11
		15285-031	1.70		11
		15285-032	1.50		11
15285-033	1.20		11		
15285-034	1.00		11		
Silver steel punch, round <i>Punzón de acero plateado, redondo</i>		15285-035	4.50		11
		15285-036	4.00		11
		15285-037	3.70		11
		15285-038	3.30		11
		15285-039	3.00		11
		15285-040	2.70		11
		15285-041	2.30		11
		15285-042	2.00		11
		15285-043	1.70		11
		15285-044	1.50		11
		15285-045	1.20		11
		15285-046	1.00		11
Silver steel punch, drilled, turned cross hole <i>Punzón de acero plateado, agujerado, agujero en cruz torneado</i>		15285-047	2.80	1.20	11
		15285-048	2.50	1.00	11
		15285-049	2.20	0.80	11
		15285-050	1.80	0.60	11
		15285-051	1.50	0.50	11
		15285-052	1.20	0.40	11

							
	mm	mm	g				
Silver steel punch, drilled, inverted cross hole <i>Punzón de acero plateado, agujerado, agujero en cruz invertido</i>		15285-053	2.80	1.20	11		
		15285-054	2.50	1.00	11		
		15285-055	2.20	0.80	11		
		15285-056	1.80	0.60	11		
		15285-057	1.50	0.50	11		
		15285-058	1.20	0.40	11		
Silver steel punch, flat, drilled <i>Punzón de acero plateado, plano, agujerado</i>		15285-065	4.50	2.20	11		
		15285-066	4.00	2.00	11		
		15285-067	3.70	1.70	11		
		15285-068	3.30	1.50	11		
		15285-068A	3.10	1.30	11		
		15285-069	3.00	1.20	11		
		15285-069A	2.85	1.10	11		
		15285-070	2.70	1.00	11		
		15285-070A	2.50	0.90	11		
		15285-071	2.30	0.80	11		
		15285-072	2.00	0.70	11		
		15285-073	1.70	0.60	11		
15285-074	1.50	0.50	11				
15285-075	1.20	0.40	11				
15285-076	1.00	0.30	11				
Silver steel punch, center wheelsdrilled <i>Punzón de acero plateado, ruedas de centro, agujerado</i>		15285-077	4.50	1.50	11		
		15285-079	4.50	1.20	11		
		15285-081	4.50	1.00	11		
		15285-083	4.50	0.80	11		
		15285-084	4.50	0.70	11		
		15285-085	4.50	0.60	11		
		15285-086	3.50	1.20	11		
Silver steel punch, concave, drilled <i>Punzón de acero plateado, cóncavo, agujerado</i>		15285-087	3.20	1.10	11		
		15285-088	3.00	1.00	11		
		15285-089	2.80	0.90	11		
		15285-090	2.40	0.80	11		
		15285-091	2.00	0.70	11		
		15285-092	1.80	0.60	11		
		15285-093	1.60	0.50	11		
		15285-094	1.40	0.40	11		
		Silver steel punch, ellipse, drilled <i>Punzón de acero plateado, ellipse, agujerado</i>		15285-095	4.00	1.50	11
				15285-097	2.50	1.10	11

			∅	∅	⚖
			mm	mm	g
Silver steel punch, round, drilled <i>Punzón de acero plateado, redondo, agujero</i>		15285-099	4.50	2.20	11
		15285-100	4.00	2.00	11
		15285-101	3.70	1.70	11
		15285-102	3.30	1.50	11
		15285-102A	3.10	1.30	11
		15285-103	3.00	1.20	11
		15285-103A	2.85	1.10	11
		15285-104	2.70	1.00	11
		15285-104A	2.50	0.90	11
		15285-105	2.30	0.80	11
		15285-106	2.00	0.70	11
		15285-107	1.70	0.60	11
		15285-108	1.50	0.50	11
		15285-109	1.20	0.40	11
15285-110	1.00	0.30	11		
Silver steel punch, Stake, to drive out broken screws and rods <i>Punzón de acero plateado, para sacar tornillos y varillas rotas</i>		15285-111	1.50		11
		15285-112	1.20		11
		15285-113	1.00		11
		15285-114	0.90		11
		15285-115	0.80		11
		15285-116	0.70		11
		15285-117	0.60		11
		15285-118	0.50		11
		15285-118A	0.45		11
Silver steel punch, hollowed and drilled with countersink <i>Punzón de acero plateado, vaciado y agujero con avellanador</i>		15285-119	3.50	1.20	11
		15285-120	3.20	1.10	11
		15285-121	3.00	1.00	11
		15285-123	2.40	0.80	11
		15285-125	1.80	0.60	11
		15285-126	1.40	0.40	11
		15285-127	2.30	1.90	11
Silver steel punch, pointed, drilled <i>Punzón de acero plateado, puntiagudo, agujero</i>		15285-128	2.10	1.70	11
		15285-129	1.90	1.50	11
		15285-130	1.60	1.20	11
		15285-130A	1.50	1.10	11
		15285-131	1.40	1.00	11
		15285-131A	1.30	0.90	11
		15285-132	1.20	0.80	11
		15285-132A	1.10	0.70	11
		15285-133	3.20		11
Silver steel punch, triangular <i>Punzón de acero plateado, triangular</i>		15285-134	2.20		11
		15285-135	1.20		11
Silver steel punch, flat, drilled, X-slit <i>Punzón de acero plateado, agujero, plano, ranura en X</i>		15285-136	3.00	1.20	11
Brass punch, flat <i>Punzón de latón, plano</i>		15285-139	4.00		12
		15285-140	3.00		12
		15285-141	1.70		12

			∅	∅	⚖		
			mm	mm	g		
Brass punch, flat, drilled <i>Punzón de latón, plano, agujero</i>		15285-142	3.00	1.20	12		
		15285-143	2.00	0.70	12		
		15285-144	1.20	0.40	12		
Silver steel pusher, flat, drilled <i>Pulsadore de acero plateado, plano, agujero</i>		15285-145	0.65	0.10	11		
		15285-146	0.75	0.20	11		
		15285-147	0.85	0.30	11		
		15285-148	0.95	0.45	11		
		15285-149	1.05	0.50	11		
		15285-150	1.15	0.50	11		
		15285-151	1.25	0.60	11		
		15285-152	1.45	0.70	11		
		15285-153	1.75	0.80	11		
		15285-154	1.95	1.00	11		
		15285-155	2.55	1.20	11		
		15285-156	2.95	1.50	11		
		Hardened steel stake, flat <i>Tás de acero endurecido, plano</i>		15285-T01	9.00		5
				15285-T02	4.50		3
15285-T03	3.50				2		
15285-T04	2.50				2		
15285-T05	1.00				2		
Hardened steel stake, flat, drilled <i>Tás de acero endurecido, plano, agujero</i>		15285-T06	6.00	2.00	2		
		15285-T07	4.70	1.50	2		
		15285-T08	3.50	1.00	2		
		15285-T09	2.50	0.70	2		
		15285-T10	2.00	0.40	2		
Hardened steel stake, elliptical, drilled <i>Tás de acero endurecido, elíptico, agujero</i>		15285-T11	4.70	1.25	3		
		15285-T12	3.50	1.00	2		
Hardened steel stake, domed <i>Tás de acero endurecido, bombeado</i>		15285-T13	4.50		3		
		15285-T14	3.50		2		
		15285-T15	2.50		2		
		15285-T16	1.50		1		
Stake made of hardened steel, curved, hollowed and drill <i>Tás de acero endurecido, hueco, vaciado y agujero</i>		15285-T17	9.00	2.00	5		
		15285-T18	6.00	1.50	4		
		15285-T19	4.70	2.00	3		
Hardened steel stake, curved <i>Tás de acero endurecido, hueco</i>		15285-T20	4.00	3.50	2		
		15285-T21	3.00	2.50	2		
		15285-T22	2.50	2.00	2		
Hardened steel stake, curved <i>Tás de acero endurecido, hueco</i>		15285-T23	2.00	1.50	2		
Brass stake, flat, drilled <i>Tás de latón, plano, agujero</i>		15285-T24	9.00	2.00	5		
Hardened steel stake, for removing screws <i>Tás de acero endurecido, para sacar los tornillos</i>		15285-T25	1.50		2		
Hardened steel stake, for removing screws, drilled <i>Tás de acero endurecido, para sacar los tornillos, agujero</i>		15285-T26	3.00	1.00	2		
		15285-T27	4.00	1.80	3		
		15285-T28	6.00	3.00	4		

Contents of the different cases and correspondence with references 5285 and 4765

Contenido de los distintos casos y correspondencia con las referencias 5285 y 4765

15285-...

SWISS MADE

15285-140.92	15285-93C	15285-B	15285-D
--------------	-----------	---------	---------

•	•	•	•
---	---	---	---

•	•	•	•
•	•	•	•
•	•	•	•
•	•	•	•
•	•	•	•
•	•	•	•
•	•	•	•
•	•	•	•
•	•	•	•
•	•	•	•
•	•	•	•
•	•	•	•
•	•	•	•
•	•	•	•
•	•	•	•
•	•	•	•
•	•	•	•
•	•	•	•
•	•	•	•
•	•	•	•
•	•	•	•
•	•	•	•
•	•	•	•
•	•	•	•
•	•	•	•
•	•	•	•
•	•	•	•
•	•	•	•
•	•	•	•
•	•	•	•
•	•	•	•
•	•	•	•
•	•	•	•
•	•	•	•
•	•	•	•
•	•	•	•
•	•	•	•
•	•	•	•
•	•	•	•
•	•	•	•
•	•	•	•

NEW		
	mm	mm

15285-001	4.70	
-----------	------	--

15285-016		
15285-019		
15285-023	4.50	
15285-024	4.00	
15285-025	3.70	
15285-026	3.30	
15285-027	3.00	
15285-028	2.70	
15285-029	2.30	
15285-030	2.00	
15285-031	1.70	
15285-032	1.50	
15285-033	1.20	
15285-034	1.00	
15285-035	4.50	
15285-036	4.00	
15285-037	3.70	
15285-038	3.30	
15285-039	3.00	
15285-040	2.70	
15285-041	2.30	
15285-042	2.00	
15285-043	1.70	
15285-044	1.50	
15285-045	1.20	
15285-046	1.00	
15285-047	2.80	1.20
15285-048	2.50	1.00
15285-049	2.20	0.80
15285-050	1.80	0.60
15285-051	1.50	0.50
15285-052	1.20	0.40
15285-053	2.80	1.20
15285-054	2.50	1.00
15285-055	2.20	0.80
15285-056	1.80	0.60
15285-057	1.50	0.50
15285-058	1.20	0.40
15285-065	4.50	2.20
15285-066	4.00	2.00
15285-067	3.70	1.70

STAR		
	mm	mm

4765 NO 01	4.70	
------------	------	--

4765 NO 16		
4765 NO 19		
4765 NO 23	4.50	
4765 NO 24	4.00	
4765 NO 25	3.70	
4765 NO 26	3.30	
4765 NO 27	3.00	
4765 NO 28	2.70	
4765 NO 29	2.30	
4765 NO 30	2.00	
4765 NO 31	1.70	
4765 NO 32	1.50	
4765 NO 33	1.20	
4765 NO 34	1.00	
4765 NO 35	4.50	
4765 NO 36	4.00	
4765 NO 37	3.70	
4765 NO 38	3.30	
4765 NO 39	3.00	
4765 NO 40	2.70	
4765 NO 41	2.30	
4765 NO 42	2.00	
4765 NO 43	1.70	
4765 NO 44	1.50	
4765 NO 45	1.20	
4765 NO 46	1.00	
4765 NO 47	2.80	1.20
4765 NO 48	2.50	1.00
4765 NO 49	2.20	0.80
4765 NO 50	1.80	0.60
4765 NO 51	1.50	0.50
4765 NO 52	1.20	0.40
4765 NO 53	2.80	1.20
4765 NO 54	2.50	1.00
4765 NO 55	2.20	0.80
4765 NO 56	1.80	0.60
4765 NO 57	1.50	0.50
4765 NO 58	1.20	0.40
4765 NO 65	4.50	2.20
4765 NO 66	4.00	2.00
4765 NO 67	3.70	1.70

Old BERGEON		
	mm	mm

5285-293	4.70	
----------	------	--

-		
-		
-		
5285-234	4.20	
5285-233	3.70	
-		
5285-232	3.00	
5285-231	2.60	
5285-230	2.20	
5285-229	1.80	
5285-228	1.60	
5285-227	1.40	
5285-226	1.20	
5285-225	1.00	
-		
5285-282	4.00	
-		
-		
5285-281	3.00	
5285-280	2.70	
5285-279	2.40	
5285-278	2.00	
5285-277	1.90	
5285-276	1.70	
5285-275	1.50	
5285-274	1.30	
5285-273	1.00	
-		
-		
-		
-		
-		
-		
-		
-		
-		
-		
-		
-		
-		
5285-224	3.60	2.60
5285-223	3.40	2.40
5285-222	3.20	2.20
5285-221	3.00	2.00
5285-220	2.90	1.90
5285-219	2.70	1.70

15285-140 92	15285-93C	15285-B	15285-D
--------------	-----------	---------	---------

•			•
•			
•			•
•			
•			•
•			
•			•
•			
•			•
•			
•			•
•			

•	•	•	•
•	•	•	•
•	•	•	•
•	•	•	•
•	•	•	•
•	•	•	•
•	•	•	•
•	•	•	•
•	•	•	•
•	•	•	•
•	•	•	•
•	•	•	•
•	•	•	•
•	•	•	•
•	•	•	•
•	•	•	•
•	•	•	•
•	•	•	•
•	•	•	•
•	•	•	•
•	•	•	•
•	•	•	•
•	•	•	•
•	•	•	•
•	•	•	•
•	•	•	•
•	•	•	•
•	•	•	•
•	•	•	•
•	•	•	•

NEW		
	mm	mm

15285-145	0.65	0.10
15285-146	0.75	0.20
15285-147	0.85	0.30
15285-148	0.95	0.45
15285-149	1.05	0.50
15285-150	1.15	0.50
15285-151	1.25	0.60
15285-152	1.45	0.70
15285-153	1.75	0.80
15285-154	1.95	1.00
15285-155	2.55	1.20
15285-156	2.95	1.50

15285-T01	9.00	
15285-T02	4.50	
15285-T03	3.50	
15285-T04	2.50	
15285-T05	1.00	
15285-T06	6.00	2.00
15285-T07	4.70	1.50
15285-T08	3.50	1.00
15285-T09	2.50	0.70
15285-T10	2.00	0.40
15285-T11	4.70	1.25
15285-T12	3.50	1.00
15285-T13	4.50	
15285-T14	3.50	
15285-T15	2.50	
15285-T16	1.50	
15285-T17	9.00	2.00
15285-T18	6.00	1.50
15285-T19	4.70	2.00
15285-T20	4.00	3.50
15285-T21	3.00	2.50
15285-T22	2.50	2.00
15285-T23	2.00	1.50
15285-T24	9.00	2.00
15285-T25	1.50	
15285-T26	3.00	1.00
15285-T27	4.00	1.80
15285-T28	6.00	3.00

STAR		
	mm	mm

4765-PP-0.65	0.65	0.10
4765-PP-0.75	0.75	0.20
4765-PP-0.85	0.85	0.30
4765-PP-0.95	0.95	0.45
4765-PP-1.05	1.05	0.50
4765-PP-1.15	1.15	0.50
4765-PP-1.25	1.25	0.60
4765-PP-1.45	1.45	0.70
4765-PP-1.75	1.75	0.80
4765-PP-1.95	1.95	1.00
4765-PP-2.55	2.55	1.20
4765-PP-2.95	2.95	1.50

4765 NO 1	9.00	
4765 NO 2	4.50	
4765 NO 3	3.50	
4765 NO 4	2.50	
4765 NO 5	1.00	
4765 NO 6	6.00	2.00
4765 NO 7	4.70	1.50
4765 NO 8	3.50	1.00
4765 NO 9	2.50	0.70
4765 NO 10	2.00	0.40
4765 NO 11	4.70	1.25
4765 NO 12	3.50	1.00
4765 NO 13	4.50	
4765 NO 14	3.50	
4765 NO 15	2.50	
4765 NO 16	1.50	
4765 NO 17	9.00	2.00
4765 NO 18	6.00	1.50
4765 NO 19	4.70	2.00
4765 NO 20	4.00	3.50
4765 NO 21	3.00	2.50
4765 NO 22	2.50	2.00
4765 NO 23	2.00	1.50
4765 NO 24	9.00	2.00
4765 NO 25	1.50	
4765 NO 26	3.00	1.00
4765 NO 27	4.00	1.80
4765 NO 28	6.00	3.00

Old BERGEON		
	mm	mm

5285-305	9.00	
5285-304	7.00	
5285-303	5.00	
5285-303	5.00	
5285-302	4.00	
5285-301	3.00	
5285-300	2.00	
5285-310	7.50	3.50
5285-309	5.00	3.00
5285-308	4.00	2.00
5285-307	3.00	1.50
5285-306	2.00	1.00
5285-313	7.00	1.80
5285-312	5.00	
5285-311	3.00	
5285-316	7.00	
5285-315	5.00	??
5285-314	3.00	??
5285-317	6.00	3.00
5285-318	5.00	
5285-319	7.00	2.00
5285-306	2.00	1.00
5285-308	4.00	2.00
5285-309	5.00	3.00

• + 15 reamers 30522-A (Ø 0.69 - 2.99 mm), 2 pins chamferers 30006 (Ø 2 et 4 mm), 6 pump pushers 30523-1 (Ø 0.65 - 2.55 mm) and 1 broach 30006-B.
+ 15 alisadores 30522-A (Ø 0.69 - 2.99 mm), 2 fresas de desbarbar 30006 (Ø 2 et 4 mm), 6 embutidores a muelle 30523-1 (Ø 0.65 - 2.55 mm) y 1 husillo 30006-B.